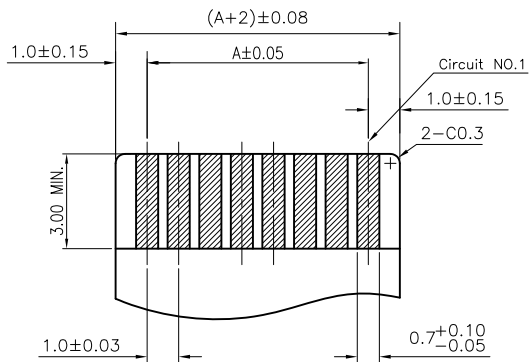


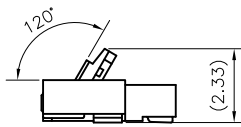
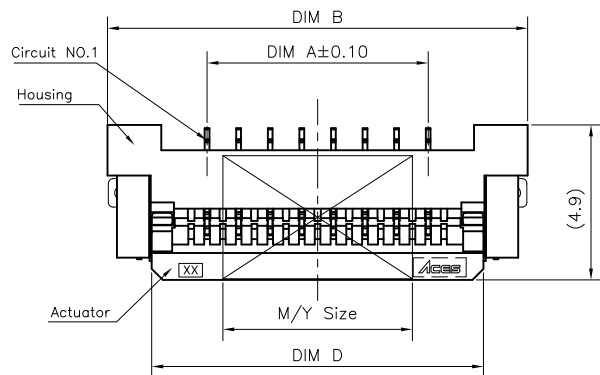
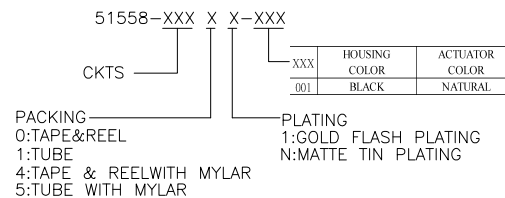
RECOMMENDED PCB LAYOUT
GENERAL TOLERANCE ±0.05



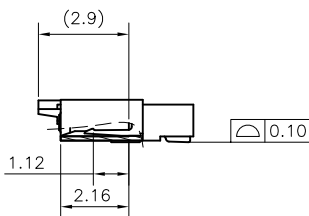
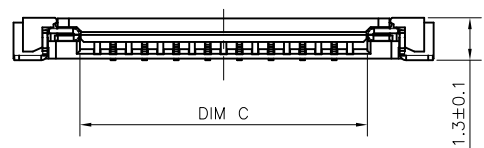
RECOMMENDED APPLICABLE FPC/FFC LAYOUT
FPC/FFC THICKNESS 0.30±0.03mm

NOTES:

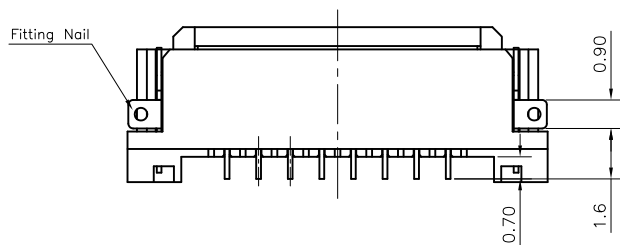
- MATERIAL:
 - HOUSING: THERMOPLASTIC, HIGH TEMP.,UL94V-0
 - ACTUATOR:THERMOPLASTIC, HIGH TEMP.,UL94V-0
 - CONTACT: COPPER ALLOY
 - FITTING NAIL: COPPER ALLOY
- FINISH:
 - CONTACT: 50~100u" NICKEL UNDERPLATING OVERALL.
1:GOLD FLASH PLATING ON CONTACT AND SOLDER TAIL AREA
N:100~200u" MATTE TIN PLATING OVERALL
 - FITTING NAIL: 50~100u" NICKEL UNDERPLATING OVERALL.
100~200u" MATTE TIN PLATING OVERALL
- REFLOW SOLDER CAPABLE TO 260°C PER ACES SPEC.
- SPEC. PLS. REFER TO PS-50509-XXXX-XXX
- PACKAGE PLS. REFER TO 88196-XXXX-TRP.
- PART NUMBER



ACTUATOR OPEN STATE



FFC INSERT DEPTH



CKTS	DIM A	DIM B	DIM C	DIM D	M/Y Size
4	3.00	9.30	5.10	6.50	6.0
6	5.00	11.30	7.10	8.50	
8	7.00	13.30	9.10	10.50	
10	9.00	15.30	11.10	12.50	
12	11.00	17.30	13.10	14.50	

一般公差 TOLERANCES X ±0.5 XX ±0.15 .X ±0.25 .XXX ±0.1 ANGLES ±2°		宏致電子股份有限公司 Aces Electronics Co.,Ltd.	
檢驗尺寸標示 SYMBOLS ① INDICATE CLASSIFICATION DIMENSION	品名 (TITLE) 1.0mm FPC EASY ON CONN. SMT R/A B/C TYPE	製圖 (DR) Xiaoxiong 13'/07/29 審核 (CHKD) CARL	核准 (APPD) JASON
① MARK IS CRITICAL DIM. ② MARK IS MAJOR DIM.	圖號 (DWG NO.) 51558-XXXXX-XXX	張數 (SHEET) 1 OF 1	比例 (SCALE) 5:1 單位 (UNITS) mm
表面處理 (FINISH)		尺寸 (SIZE) A4 圖號 (REV) A	